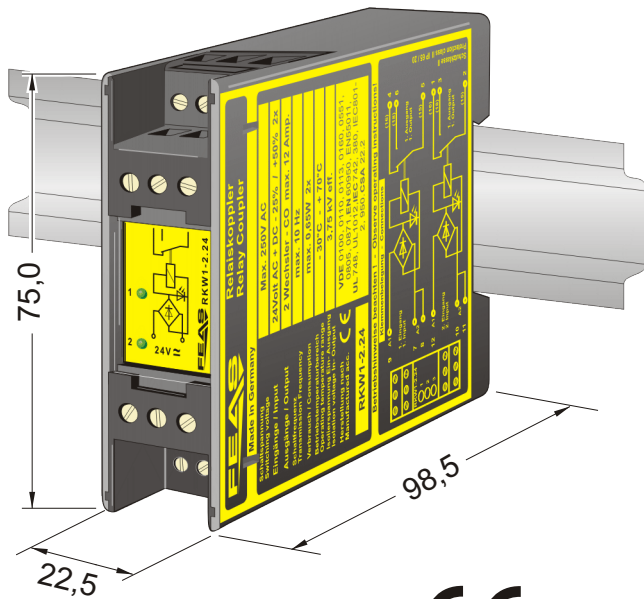


# 2-channel relay coupler change over contacts Type RKW1-2.24



**CE** - conform

- Output separated
- Input suitable for AC and DC voltage
- Operating status shown by LED
- For high switching power contacts made of precious metal
- Easy installation on DIN-rails
- Conform with EMC and guidelines for low voltage
- Safety acc. to VDE, EN, UL, CSA

<b>Type</b>	RKW1-2.24
<b>Number of channels</b>	2
<b>Nominal input voltage</b>	24VAC(VDC)
<b>Switching frequency</b>	max. 10Hz
<b>Switching voltage output</b>	max. 250VAC max. 48VDC
<b>Switching current output</b>	max. 12A AC max. 2,4A DC
<b>Dimensions (W x H x D)</b>	22,5x75x98,5
<b>Wheight</b>	approx. 0,16kg
<b>Order-No.</b>	59134

## Technical Data

Input data	
Nominal input voltage	see table below
Range of input voltage	-25% to 50% U <sub>Nominal</sub>
Switching barrier	> 18V
Impuls width	min. 20ms
Input current each channel	approx. 27mA
Consumption each channel	< 0,65W
Relapsecurrent of the relay at 20°C	approx. 7mA
Switching time at nominal voltage	operate time 7ms typ. release time 3ms typ.

Output data	
Switching voltage	see table below
Switching current	see table below
Switching power	max. 3000VA, max. 120W
Minimum switching power	10W
Life expectancy (operations)	electrical - 7 x 10 <sup>4</sup> mechanical - 3 x 10 <sup>7</sup>

Operating data	
Duty circle	100%
Operating temperature range	-30°C to +70°C
Derating	see drawing below
Storage temperature range	-40°C...+105°C
Cooling	self cooling recommended respective distance 10mm each

Safety devices	
Fuse for input	-
Fuse for output	-
Overload protection	-
MTBF	>380.000 h

Safety data	
High voltage resistance	Input / Output 3,75 kVAC acc. to VDE 0806
Protection class	Class 2 (EN 60950)
Extra low safety potential	-
Ambient humidity	95% relative humidity, yearly average dewing allowed for use in tropical ambient
Protective class enclosure	IP 65
Protective class terminals	IP 20 (VGB4)
Vibration proof	>30g at 33Hz in X,Y and Z, acc. to IEC 60068-2-27

Applied construction regulations	
according to VDE	VDE 0100, 0110, 0113, 0551, 0160/W2, 0806
IEC	IEC 60939-1, IEC60939-2, IEC60068-2-3 IEC 60068-2-11-52, IEC 60529, IEC 380
EN	EN45501, EN50021, EN61000-6-1-2-3-4 EN55011, EN50204, EN61558-2-17, EN50178 EN60204, EN60529, EN61000-4-2-3-4-5-6-8-11 EN60068-2-1-2-3-6-27-30
CSA / UL	CSA-C 22.2 / UL1283, UL94V1

Mechanics	
Mounting	On rails acc. to DIN 46277

